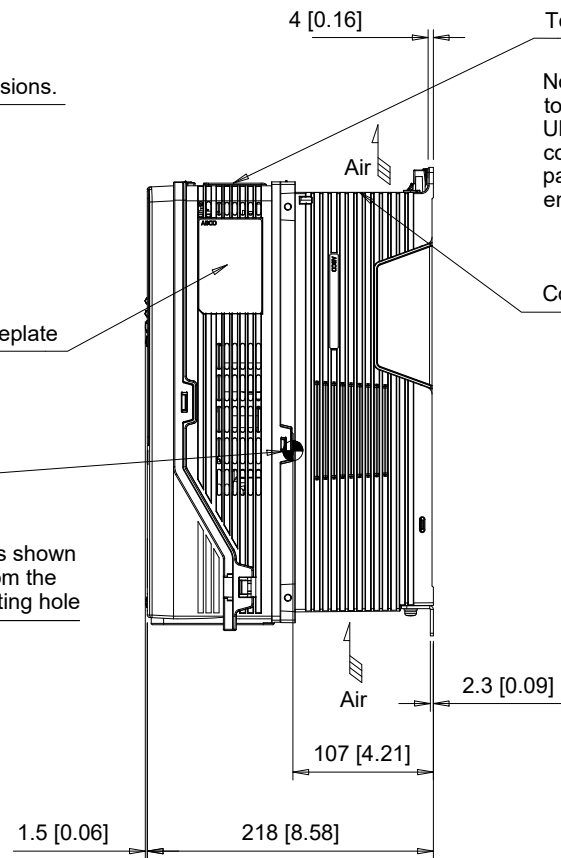
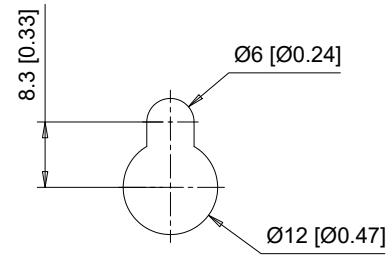


(4) Mounting Holes for M5 [#10] Screws. See Detail A for top mounting hole dimensions.

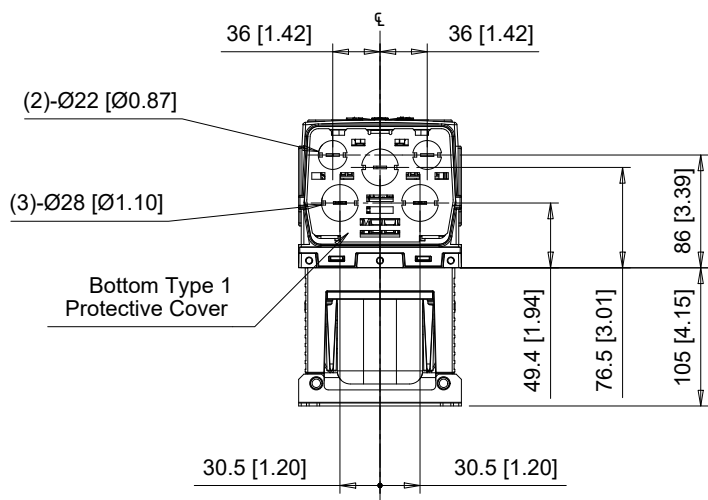
Center of Gravity Note: Dimensions shown are measured from the bottom left mounting hole



Top Type 1 Protective Cover
 Note: Protective covers are factory installed to the top and bottom of the drive to meet UL Type 1 requirements. Remove these covers when operating the drive within a panel. Removing these covers results in an enclosure rating of IP20.



Detail A
 Top mounting hole dimensions
 Scale 1:1



| C/C: HV60□ | INPUT VOLTAGE 3-PHASE (VAC) | WEIGHT Kg (lb) | COOLING FANS |
|---------------|--------------------------------|-------------------|-----------------|
| 2011□□□ | 200 TO 240 | 6.5 (14.3) | 1 |
| 2017□□□ | | 6.5 (14.3) | 1 |
| 4005□□□ | 380 TO 480 | 7.0 (15.4) | 0 |
| 4008□□□ | | 7.5 (16.5) | 0 |
| 4011□□□ | | 7.0 (15.4) | 1 |
| 4014□□□ | | 7.0 (15.4) | 1 |

□ denotes A-Z

YASKAWA

UNITS MM [IN]
 SCALE 1:6

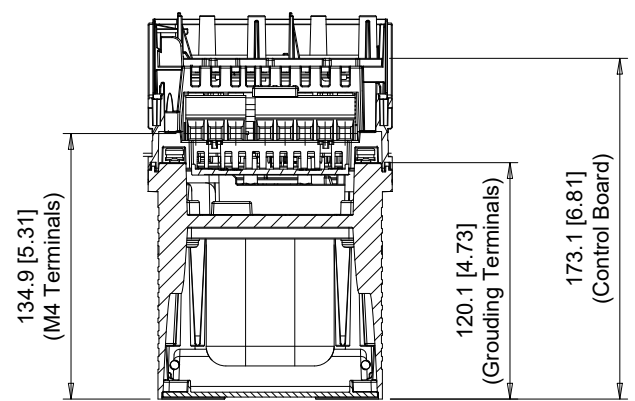
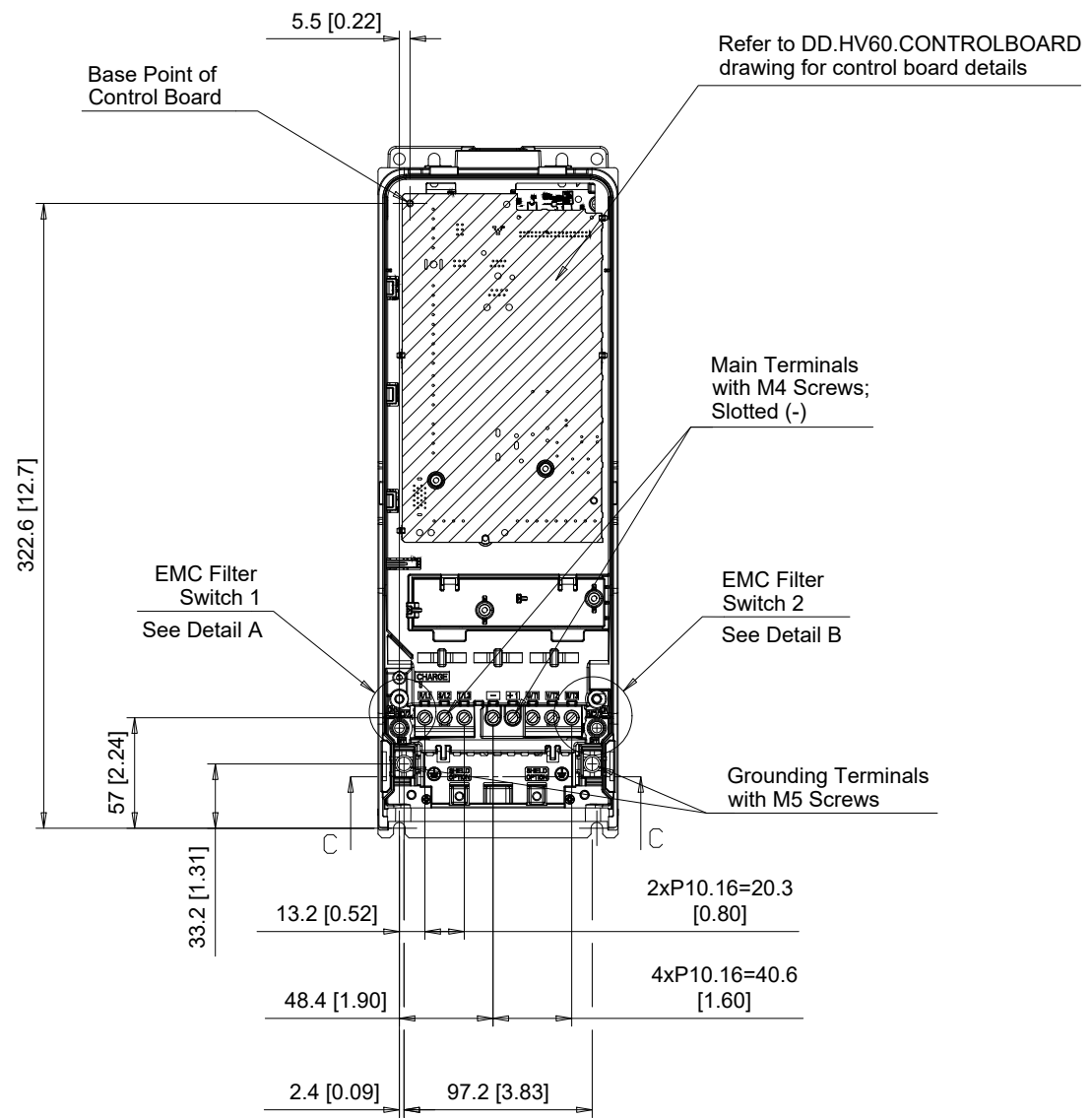
DRWN. J. MATTAS 9-27-19
 CHKD. J. PIOTROWSKI 10-11-19
 TECH. L. UDDIN 10-15-19
 APRV. J. CAIRO 10-22-19

TITLE
 HV600 DIMENSION DRAWING
 FRAME SIZE 1
 IP20/UL TYPE 1 ENCLOSURE

SIZE A
 PAGE 1 OF 3
 DWG.NO. DD.HV60.FR1.T1

REV 0

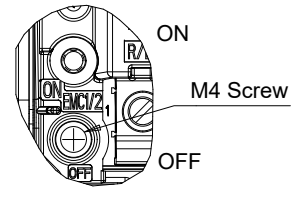
A B C D E F G H I J



Section C-C

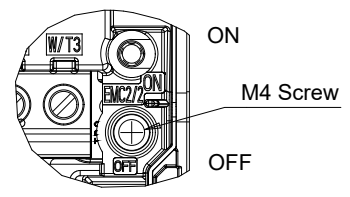
EMC FILTER SWITCHES

EMC SW1



Detail A
Scale 1:2

EMC SW2



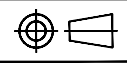
Detail B
Scale 1:2

| C/C: HV600□ | TERMINAL SYMBOL | WIRE RANGE AWG (mm ²) | TERMINAL SCREW | CLAMPING TORQUE N.m. (lb.in.) |
|----------------|--------------------|--------------------------------------|-------------------|----------------------------------|
| 2011□□□ | R/L1, S/L2, T/L3 | 14 - 6 (2.5 - 16) | M4 | 1.7 (15) |
| 2017□□□ | U/T1, V/T2, W/T3 | 14 - 6 (2.5 - 16) | M4 | 1.7 (15) |
| 4005□□□ | -, +1 | 14 - 6 (2.5 - 16) | M4 | 1.7 (15) |
| 4008□□□ | ⊕ | 14 - 8 (2.5 - 10) | M5 | 2.0 - 2.5 (18 - 22) |
| 4011□□□ | | | | |
| 4014□□□ | | | | |

□ Denotes A-Z

Note: Refer to applicable codes and standards for proper wire type and size.

YASKAWA



UNITS MM [IN]
SCALE 1:4

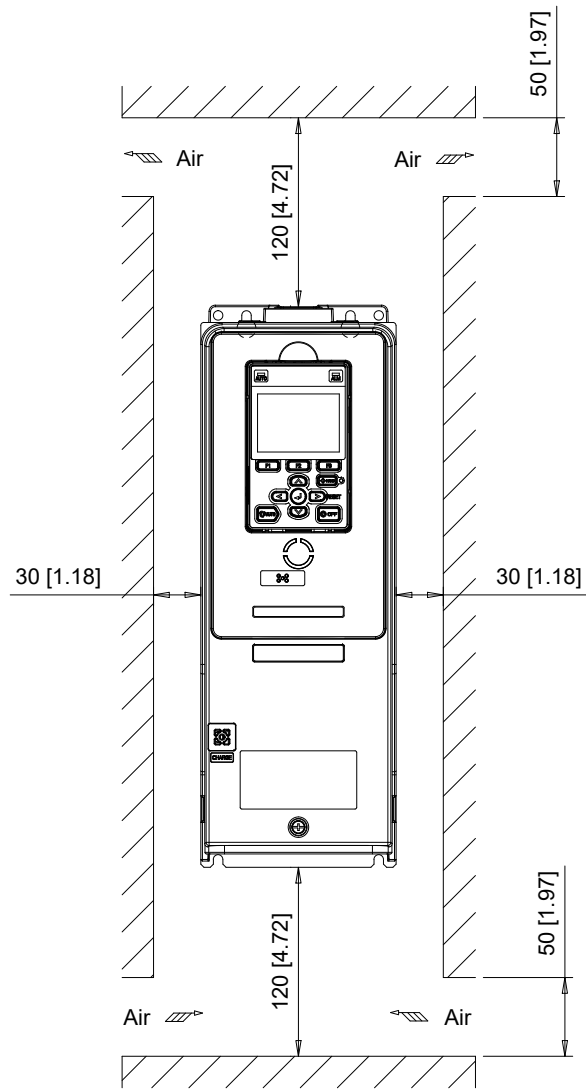
DRWN. J. MATTAS 9-27-19
CHKD. J. PIOTROWSKI 10-11-19
TECH. L. UDDIN 10-15-19
APRV. J. CAIRO 10-22-19

TITLE
HV600 DIMENSION DRAWING
FRAME SIZE 1
IP20/UL TYPE 1 ENCLOSURE

SIZE A PAGE 2 OF 3
DWG.NO. DD.HV60.FR1.T1

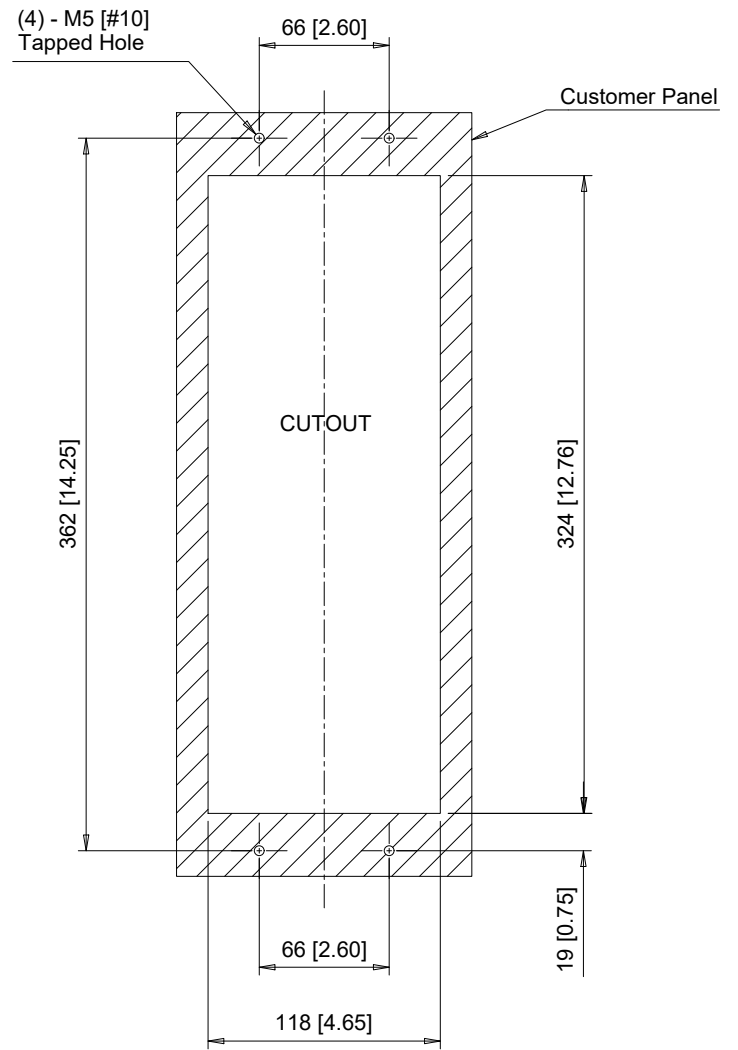
REV 0

Minimum Installation Clearances (Scale 1:5)



Note:
For alternate mounting configurations, consult manual.

Panel Cutout (Scale 1:4)
For External Heatsink Mounting Configuration



Notes:
Exposed heatsink minimum clearance D = 110 [4.33].
Refer to external heatsink instructions document for additional details.

YASKAWA

UNITS MM [IN]
SCALE ABOVE

| | | |
|-------|---------------|----------|
| DRWN. | J. MATTAS | 9-27-19 |
| CHKD. | J. PIOTROWSKI | 10-11-19 |
| TECH. | L. UDDIN | 10-15-19 |
| APRV. | J. CAIRO | 10-22-19 |

| | |
|-------|---|
| TITLE | HV600 DIMENSION DRAWING FRAME SIZE 1 IP20/UL TYPE 1 ENCLOSURE |
|-------|---|

| | | | |
|---------|----------------|------|--------|
| SIZE | A | PAGE | 3 OF 3 |
| DWG.NO. | DD.HV60.FR1.T1 | | |

REV
0